

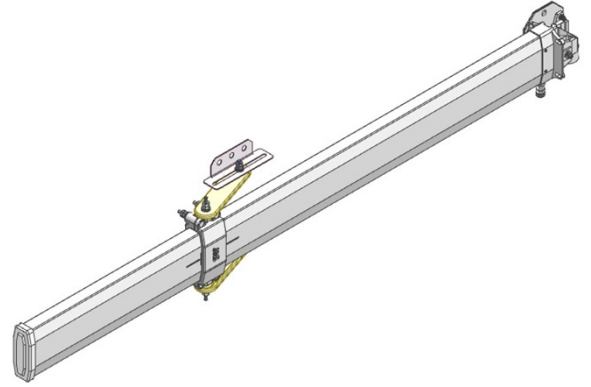
# Yagi Antenna(터널용)

1745 ~ 2400 MHz / 14.5dBi

## PIW-YG-14

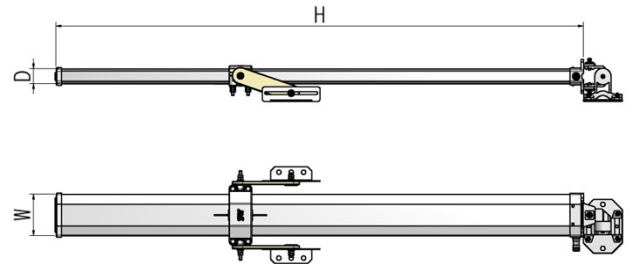
### i. Electrical Specification

Frequency Range	1745~1870	1920~2400
Polarization	Vertical	Vertical
Band Width	120 MHz	480 MHz
Gain	≥ 14.5 dBi	≥ 14.5 dBi
Beam width	Horizontal	≥20°
	Vertical	≥20°
F-B ratio (Horizontal & Vertical)	15dB @ 180 ± 30°	15dB @ 180 ± 30°
VSWR	1 : 1.5	1 : 1.5
Impedance	50 Ω	
IMD (3rd)	≤ -140dBc @ 2x40dBm	
IMD (5th)	≤ -160dBc @ 2x40dBm	
Maximum input power	100 W	

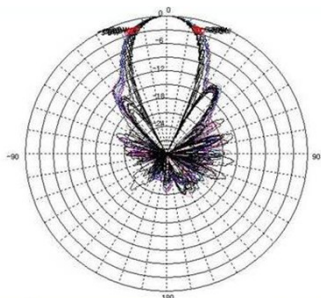


### ii. Mechanical Specification

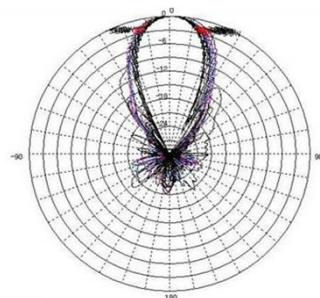
Radom Dimension (HxWxD)	100 x 40 x 947 mm
Weight ( Include bracket )	≤ 2 Kg
Connector Type	N-J (Female)
Withstand Wind Pressure	60 m/sec
Radome Material	ASA
Radome Color	Cool Gray 1C
Mechanical Down Tilt	Up, Down ± 30°
	Left, Right ± 6°
Temperature	-40 °C ~ 70 °C
Packing Size (H x W x D) 10SET	-
Packing Weight 10SET	-



### iii. Radiation Pattern



Horizontal Pattern



Vertical Pattern